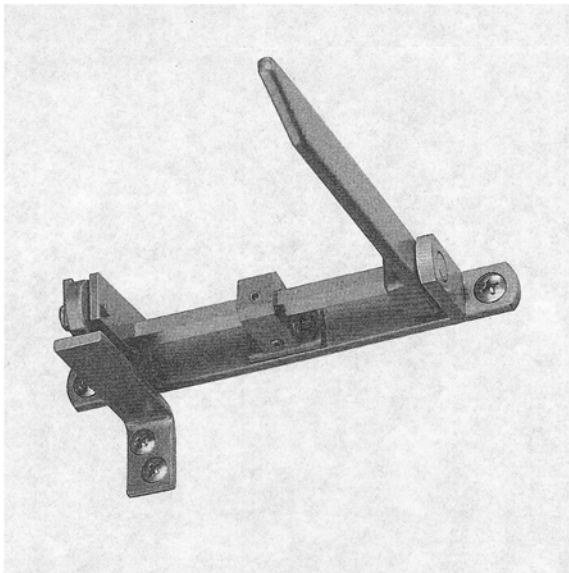


CLOSING ORDER REGULATOR SF-150F

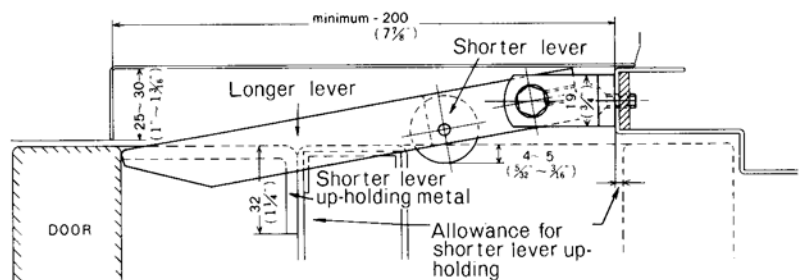
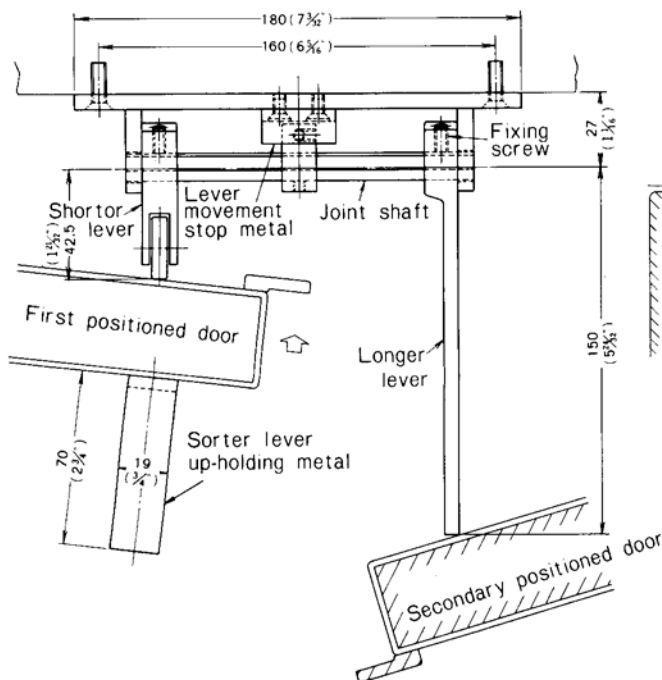
SF-150F SERIES



Door Closing Order Regulator has been so developed in the patented design as to permit door closing in the fixed order. This regulator is suitable for fire-proof metal doors of center meeting type with overlapped center edger.

The doors incorporating this unique regulator are always kept open by means of "NEW STAR" door closers or floor hinges with fusible metals. In case of fire, the fusible metals will melt with heat thus enabling the door closers or floor hinges to close the doors automatically. The regulator then permits these doors overlapped in the fixed order at the final closing stage regardless of individual closing speeds.

When fixing "NEW STAR" Door Closing Order Regulator, fix it to the top jamb face with the fixing screws provided in such a manner that the longer lever should always face to the door overlapping to the other. The shorter lever up-holding metal is to be fixed to the back of the door to be closed first in a straight line with the top edge of this door.



*In case this clearance is more than 10 mm, please inform is accordingly since the shorter lever will be off.