

DOOR CLOSING ORDER REGULATOR

SF-350F

Function of the Closing Order Regulator in the Event of Fire

When the emergency exit consists of double swinging doors, the fuses on both sides will blow and the door closer will operate to close the door.

However, there is a set order in which the two doors must close and it is the closing order regulator which regulates this order. In the case of a fire breaking out, even if the door which should close afterwards, begins to close first, it will be held back by the regulator until the other door has closed. Then, the lever of the regulator will disengage, permitting the remaining door to close, and thus the function of the fire door will be completely fulfilled.

For double swinging fire doors, this closing order regulator is an indispensable device for use in conjunction with a door closer fitted with a temperature sensitive fuse.



Application

When the door which should close first starts to close in second position, the meeting plates on the head of the door will move ahead while pushing down the sides of the lever, and in response, the hold on the door to close in second position will be released and this door will follow in the wake of the first door, embracing the lever as it closes. Thus, even when the closing order is initially reversed, the closing order regulator will ensure that closing of the doors takes place in the fixed order.

Applicable Dimensions

Type	Max. Door Dimensions
Center Hung	D.W. 3300 mm
Offset Hung	D.W. 1800 mm

SF-350F Installation

* When the ceiling forms the top jamb, or when there is very little space between the head casing of the door and the ceiling.

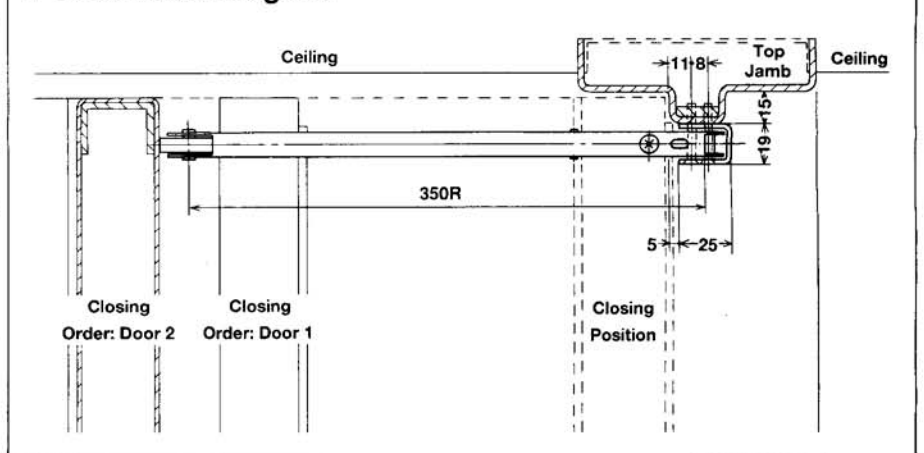
* When the wall enclosing the shutter box to hold the door is thin and there is not enough space to allow functioning of the short lever of Model A.

1. Adjust the center of the lever supporting shaft to the center of the fine adjustment dimension determined on measuring the meeting point gap when the double swinging doors have been closed.

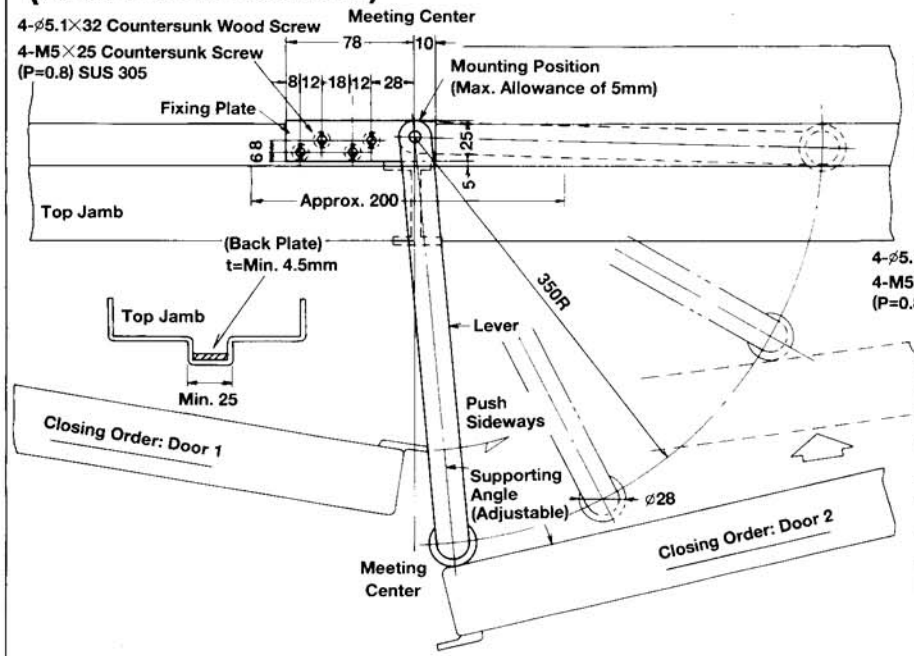
(Usually 4-6mm)

2. To attach the fixing plate to the bottom of the door rebate (with a min. width of 25mm), set the front edge of the fixing plate to meet that of the door rebate. Then, weld on firmly a back plate approx. 200mm long and at least 4.5mm thick, centering it inside the door rebate.

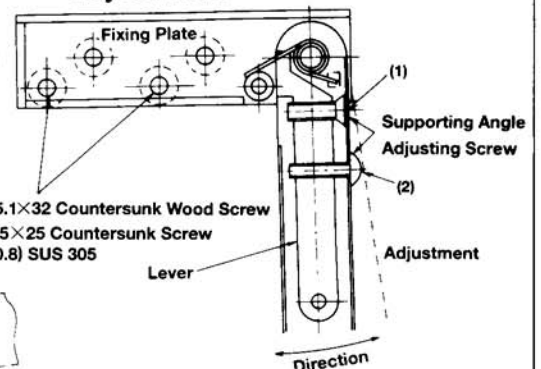
Installation Diagram



(VIEW FROM BOTTOM)



Adjustment



When the supporting angle of the lever is not satisfactory, due to a pair door, irregular door widths or any gap at the meeting center of the doors, adjustments can be made by turning the adjusting screws (1) and (2) at the base of the lever.